

SINGER
133K6,K7

Form K5015
(335)
Printed in Gt. Britain

ILLUSTRATED
LIST OF PARTS
FOR
Nos. 133K6 and 133K7
MACHINES



THE SINGER MANUFACTURING COMPANY

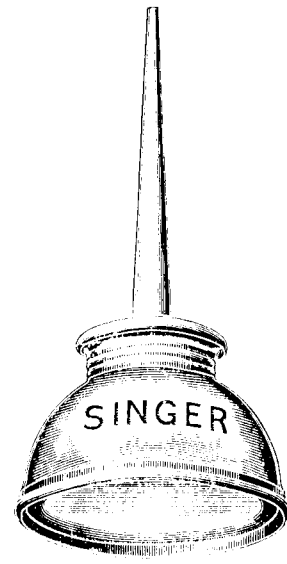
All Rights Reserved

From the library of: Diamond Needle Corp.

11831

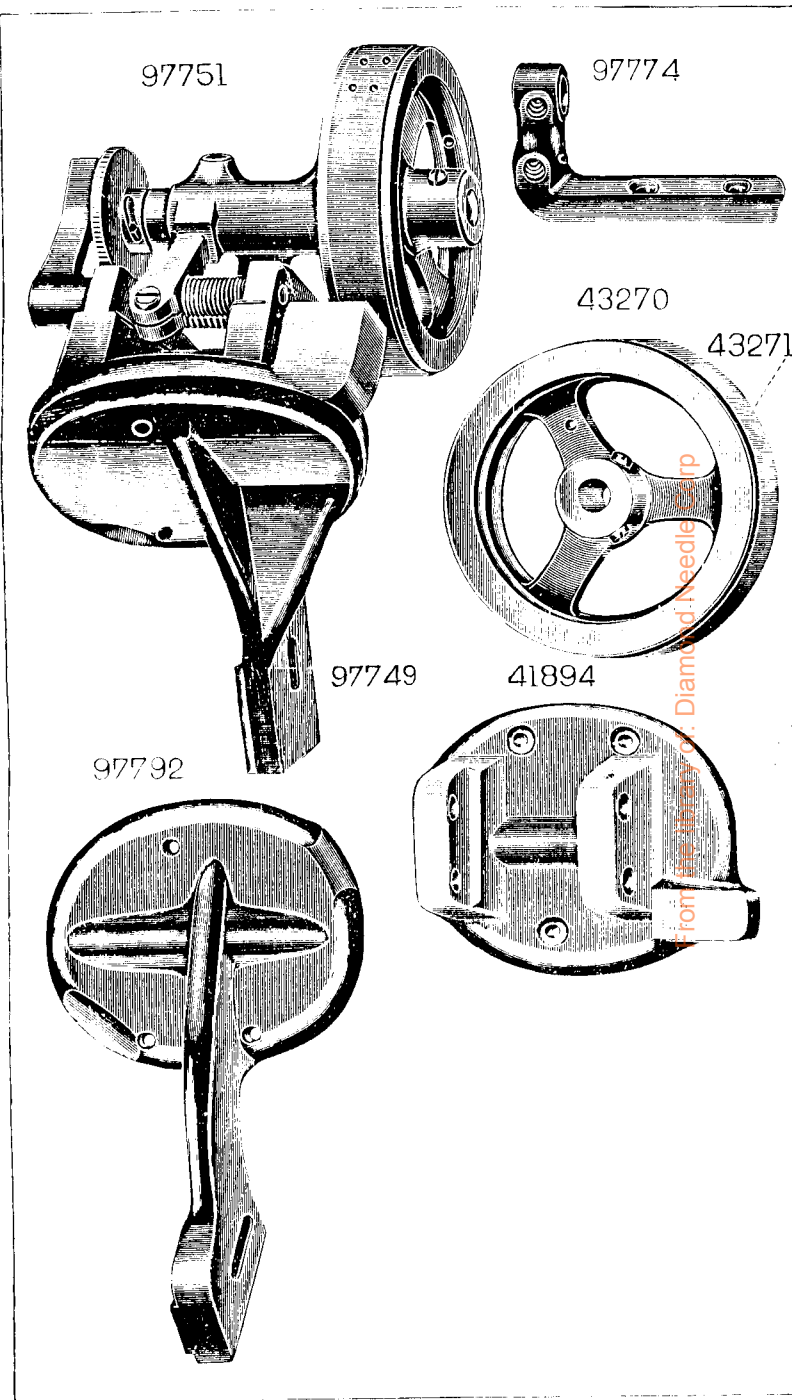
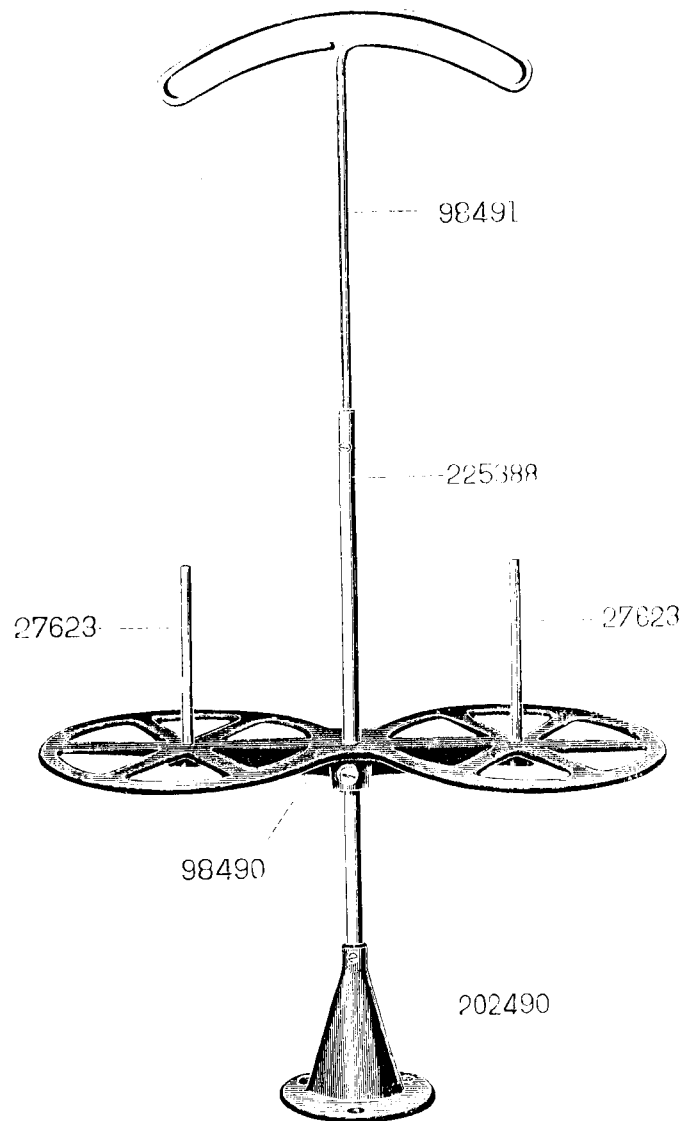


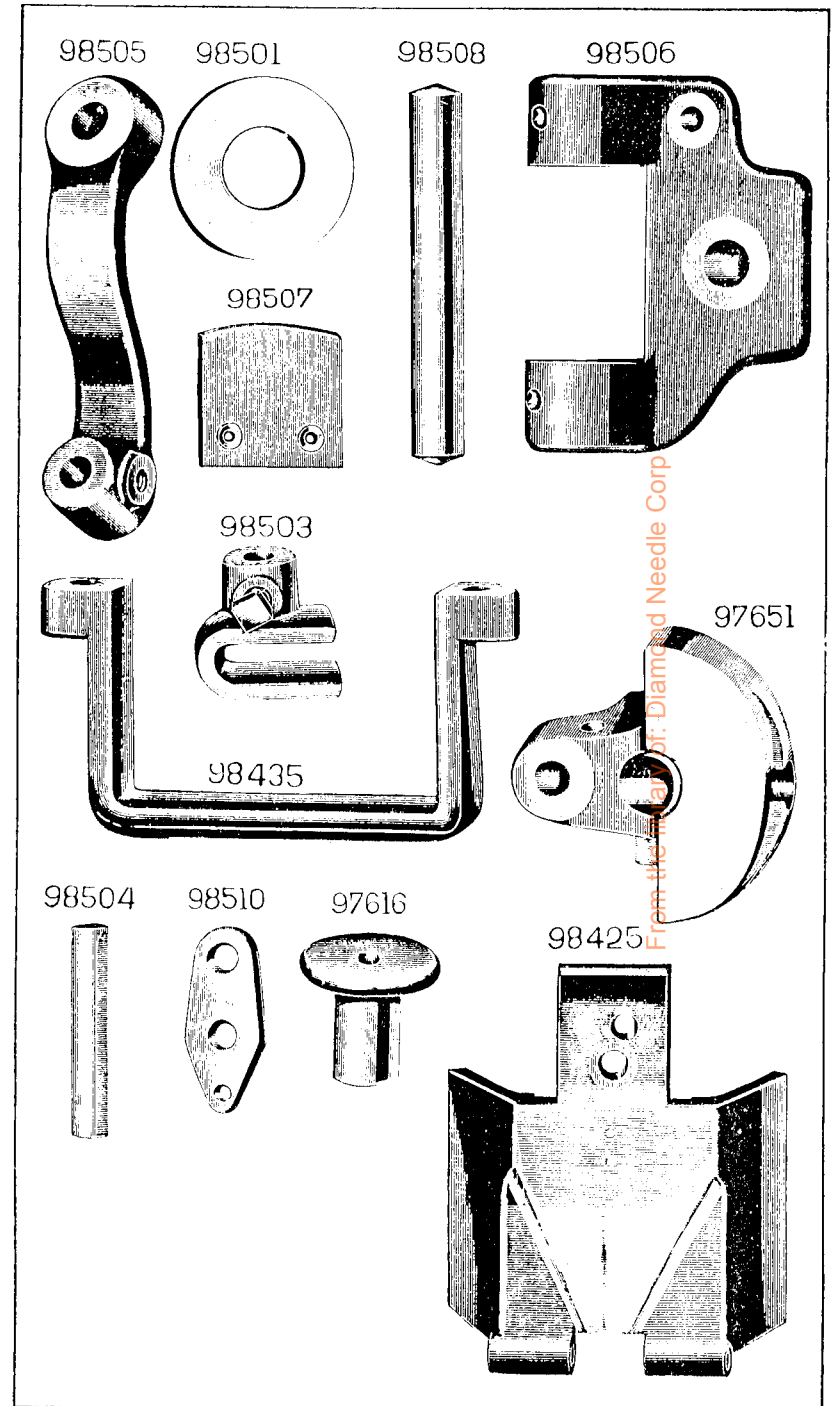
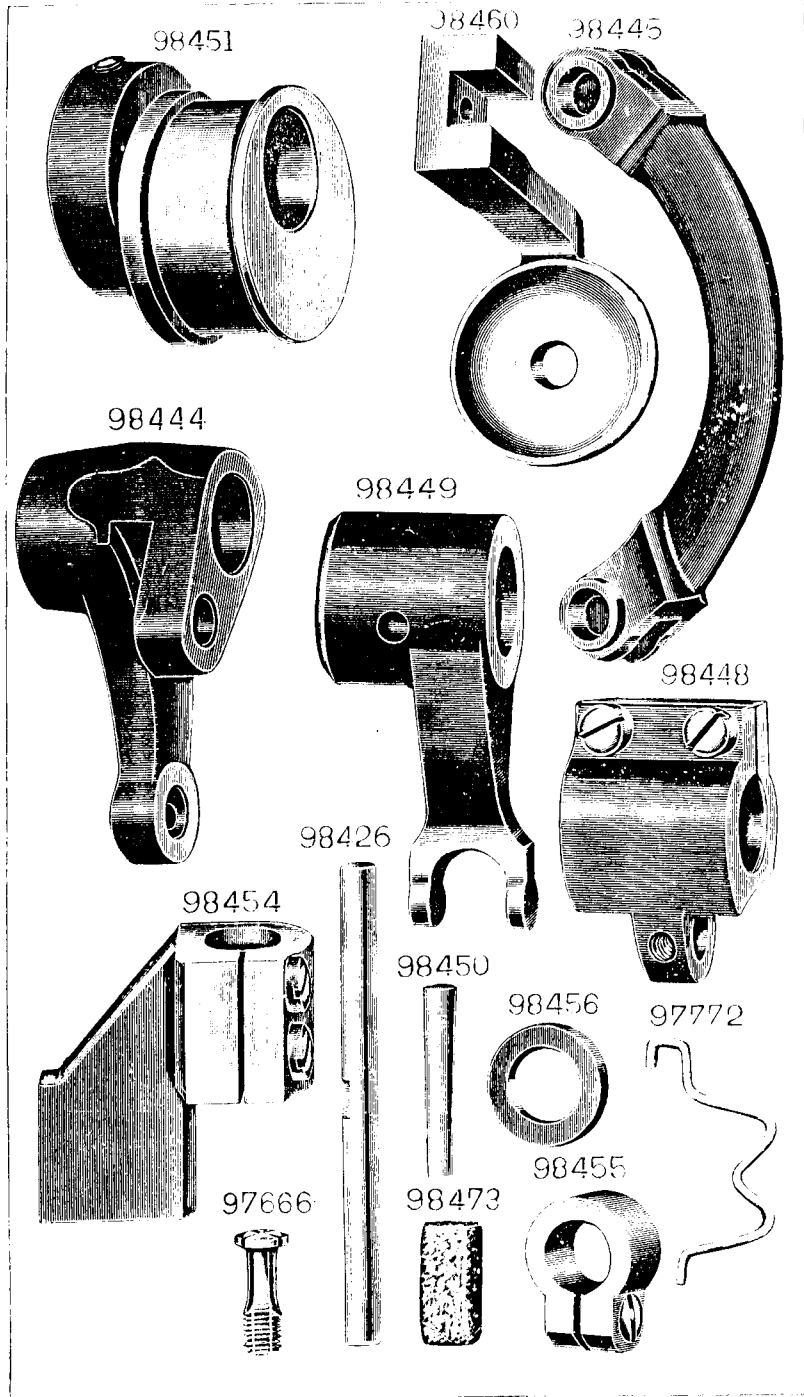
120342

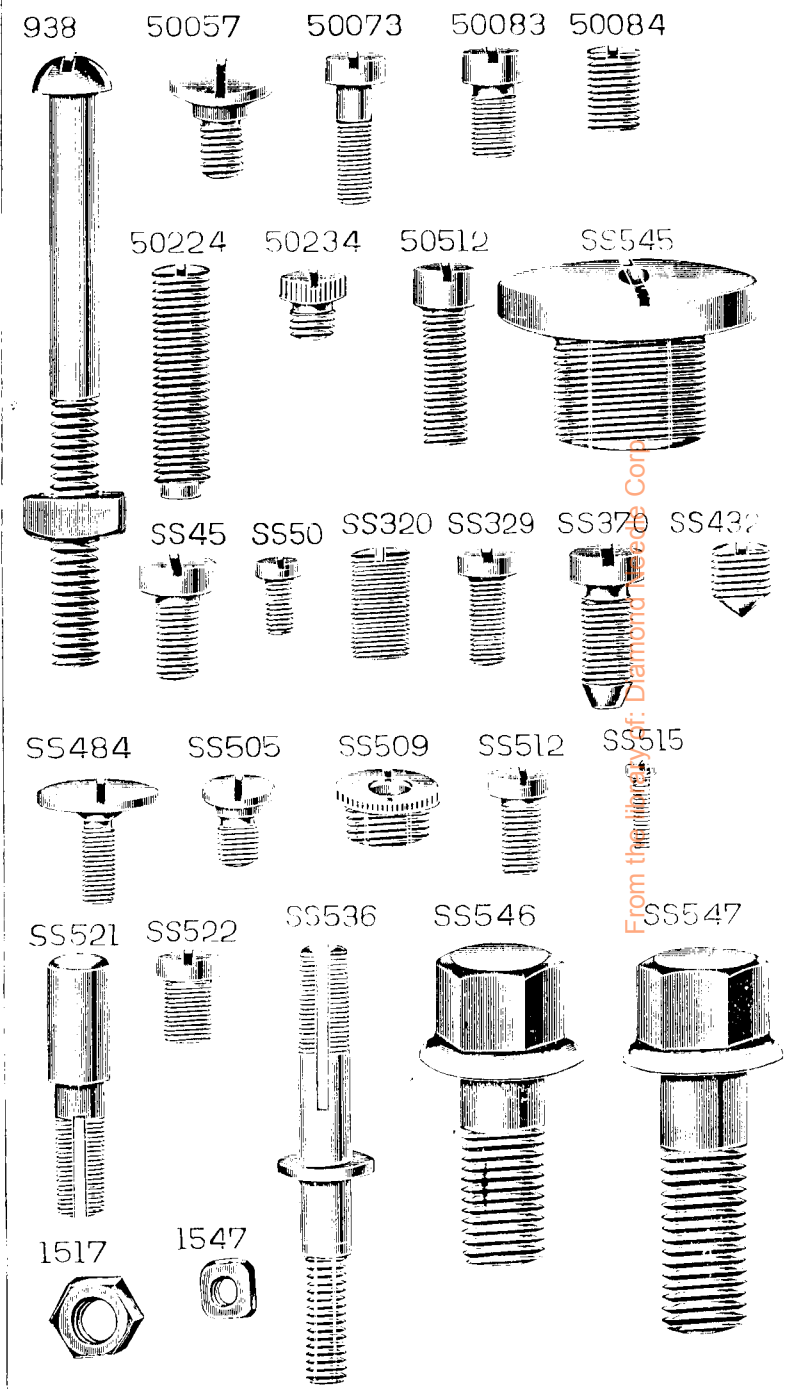
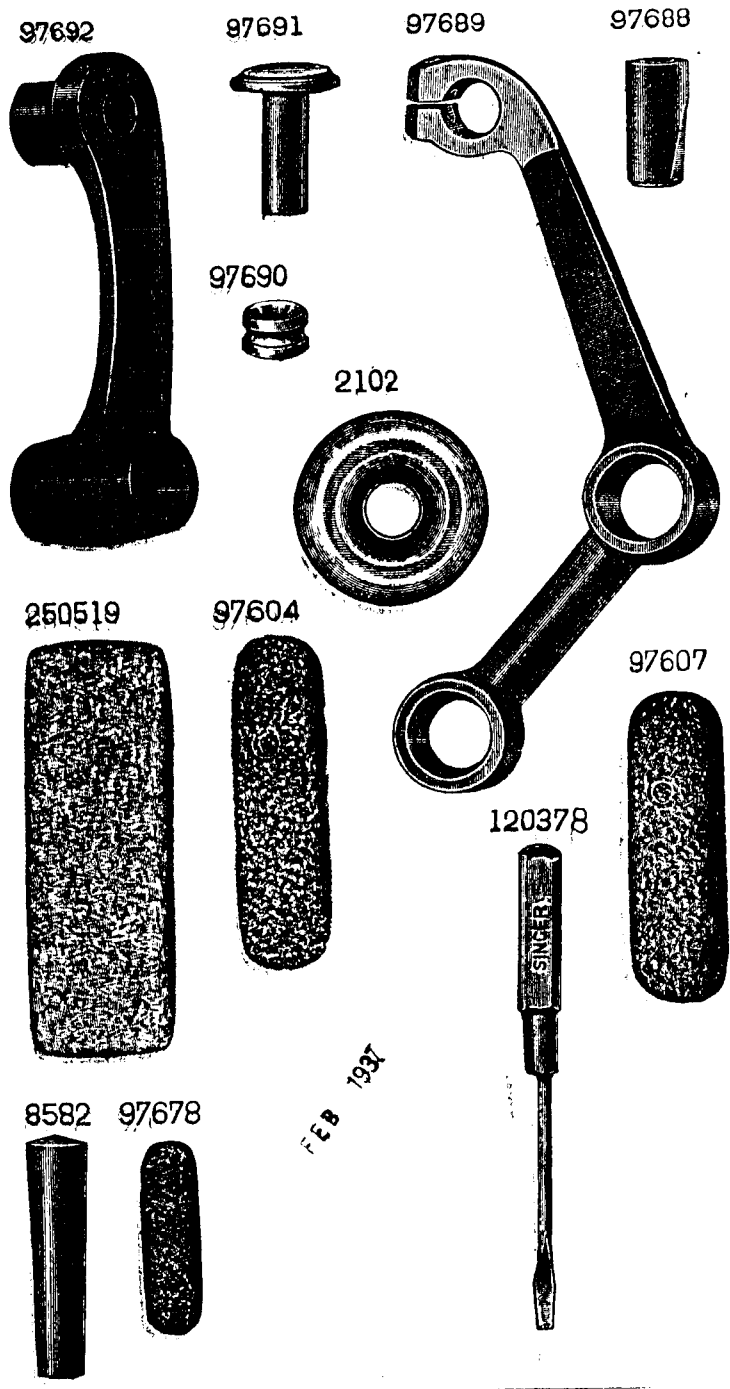


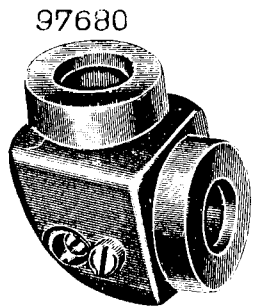
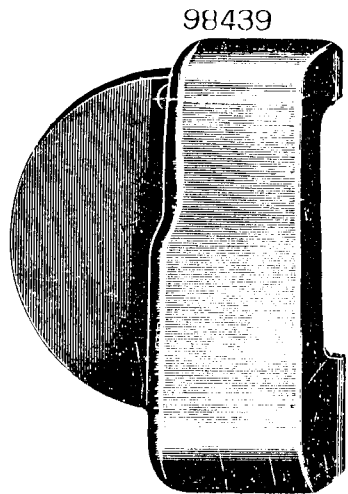
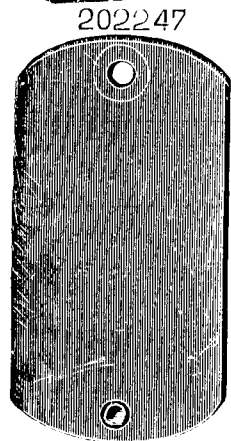
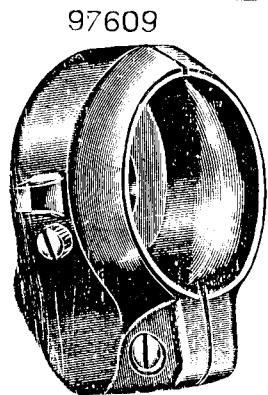
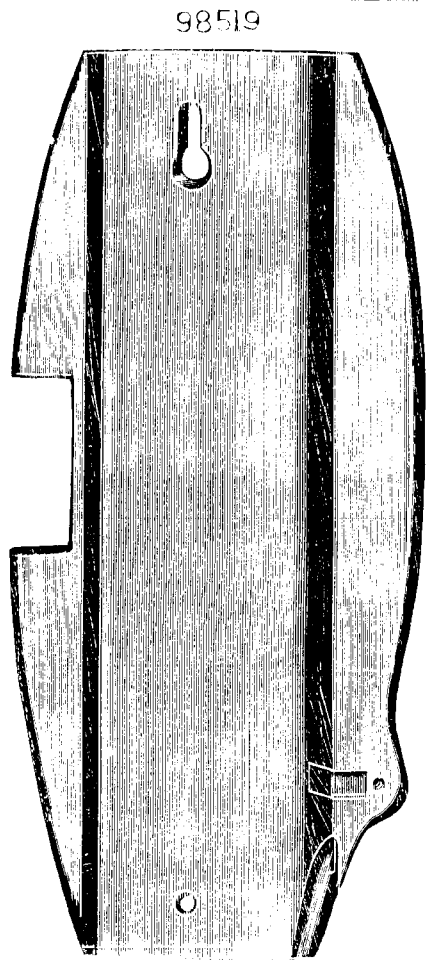
From the library of: Diamond Needle Corp

98492

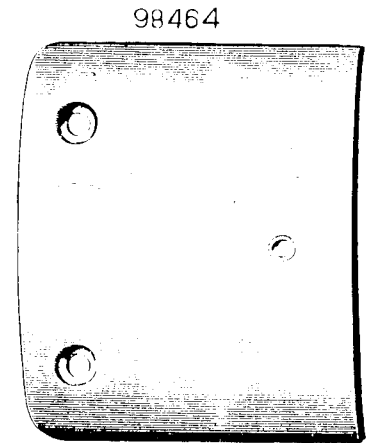
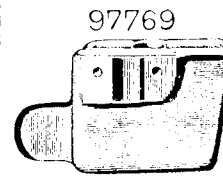
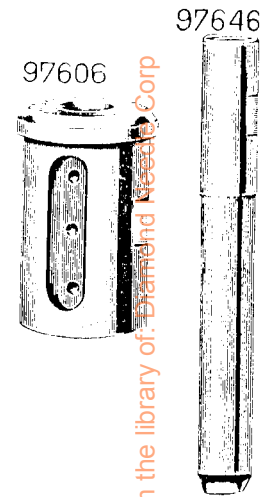
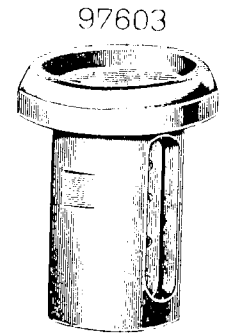




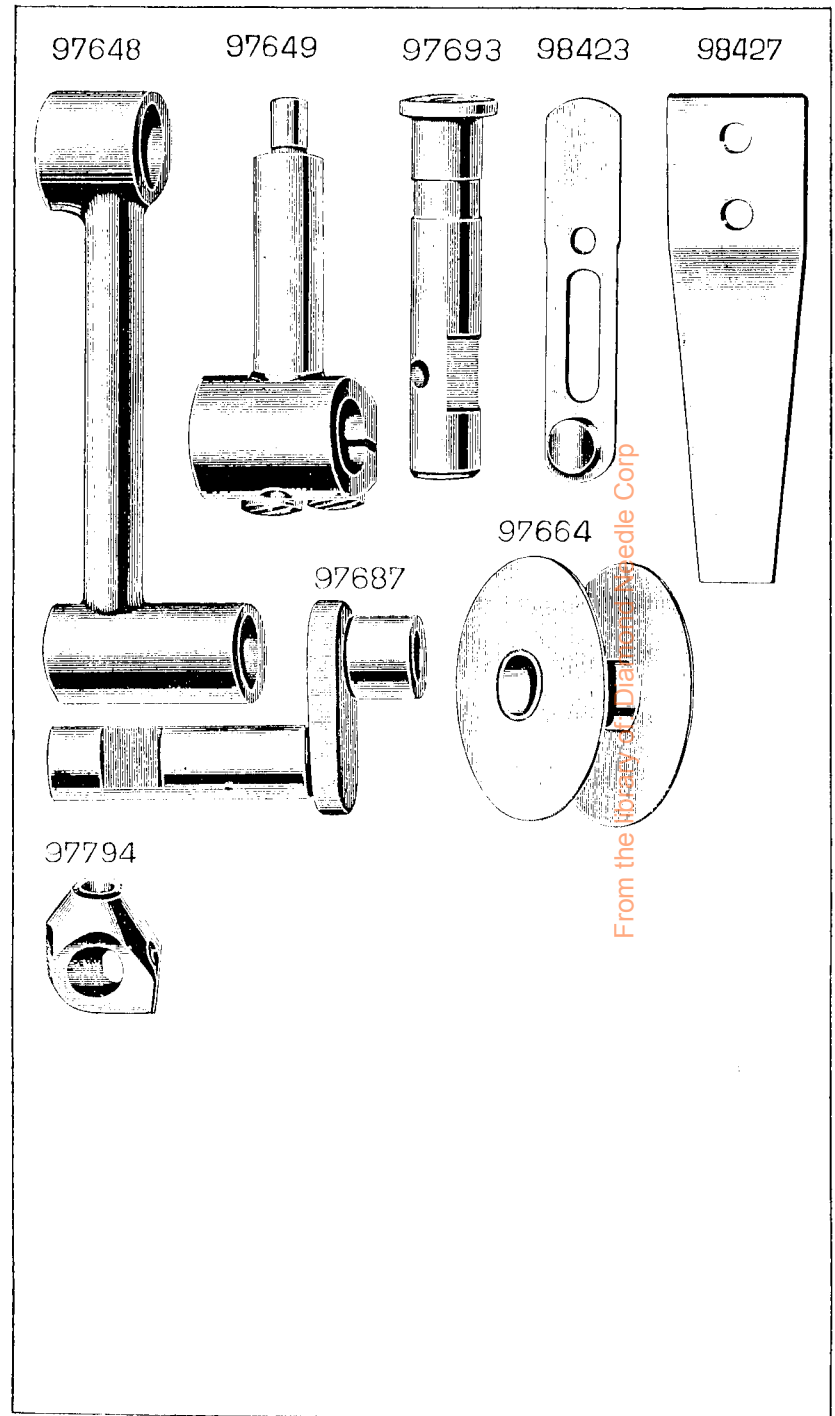
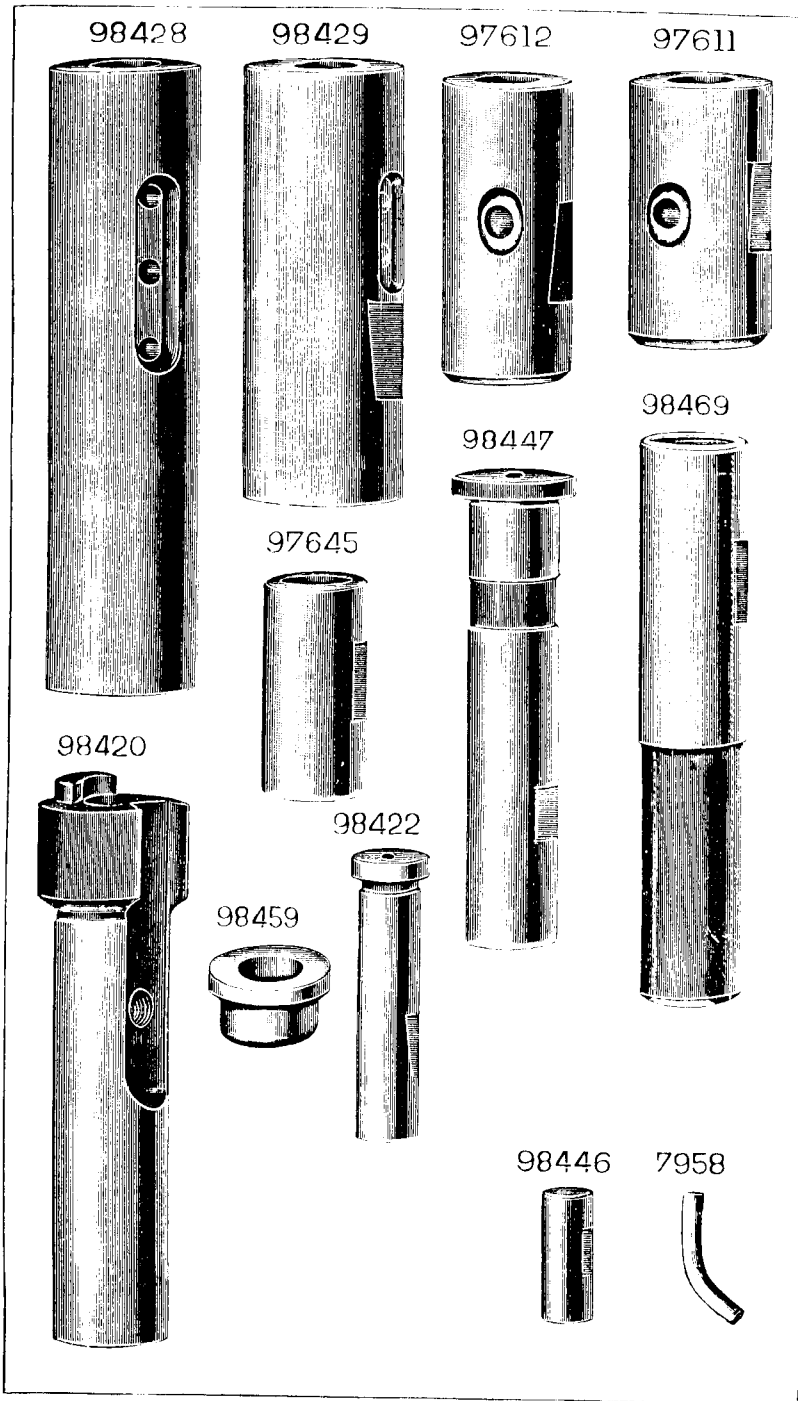


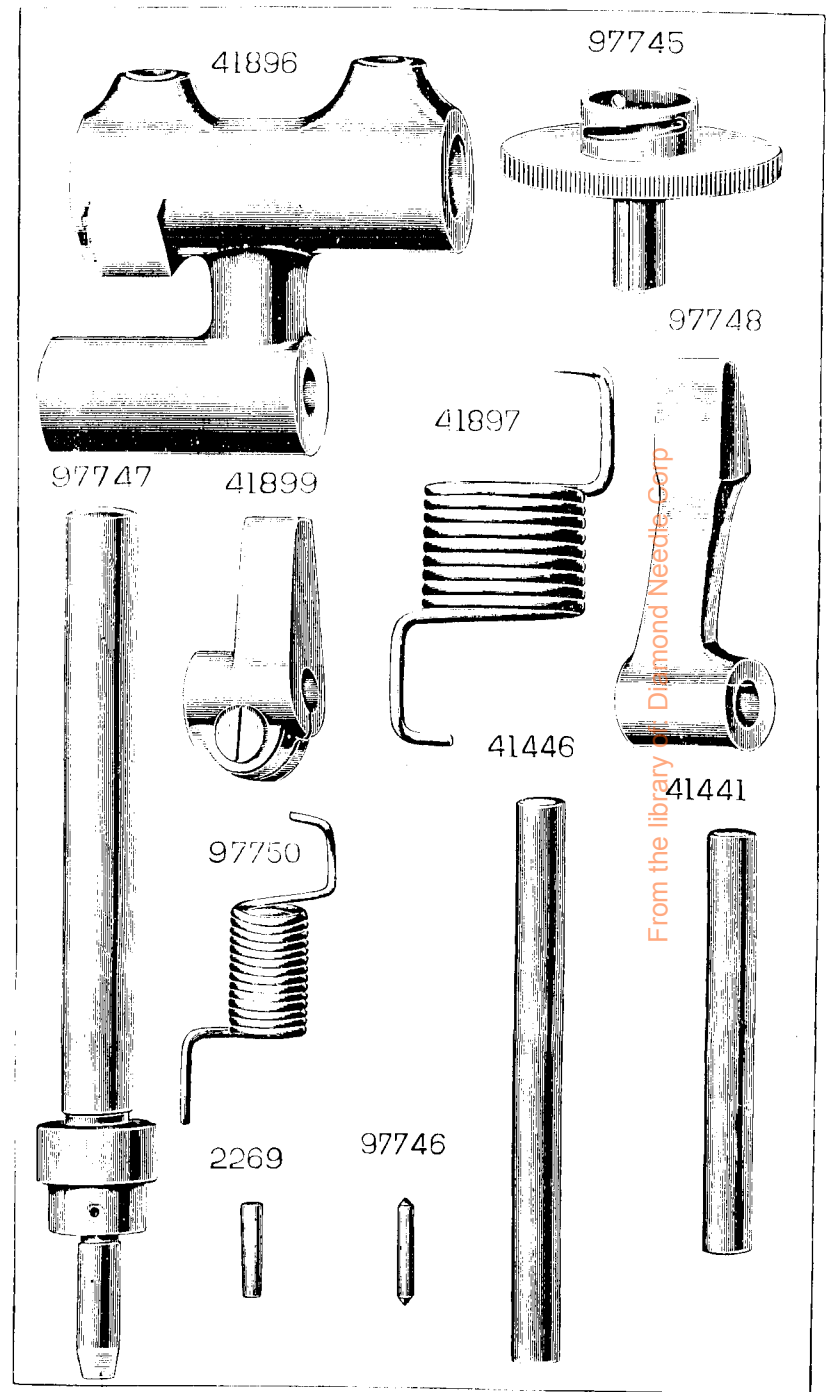
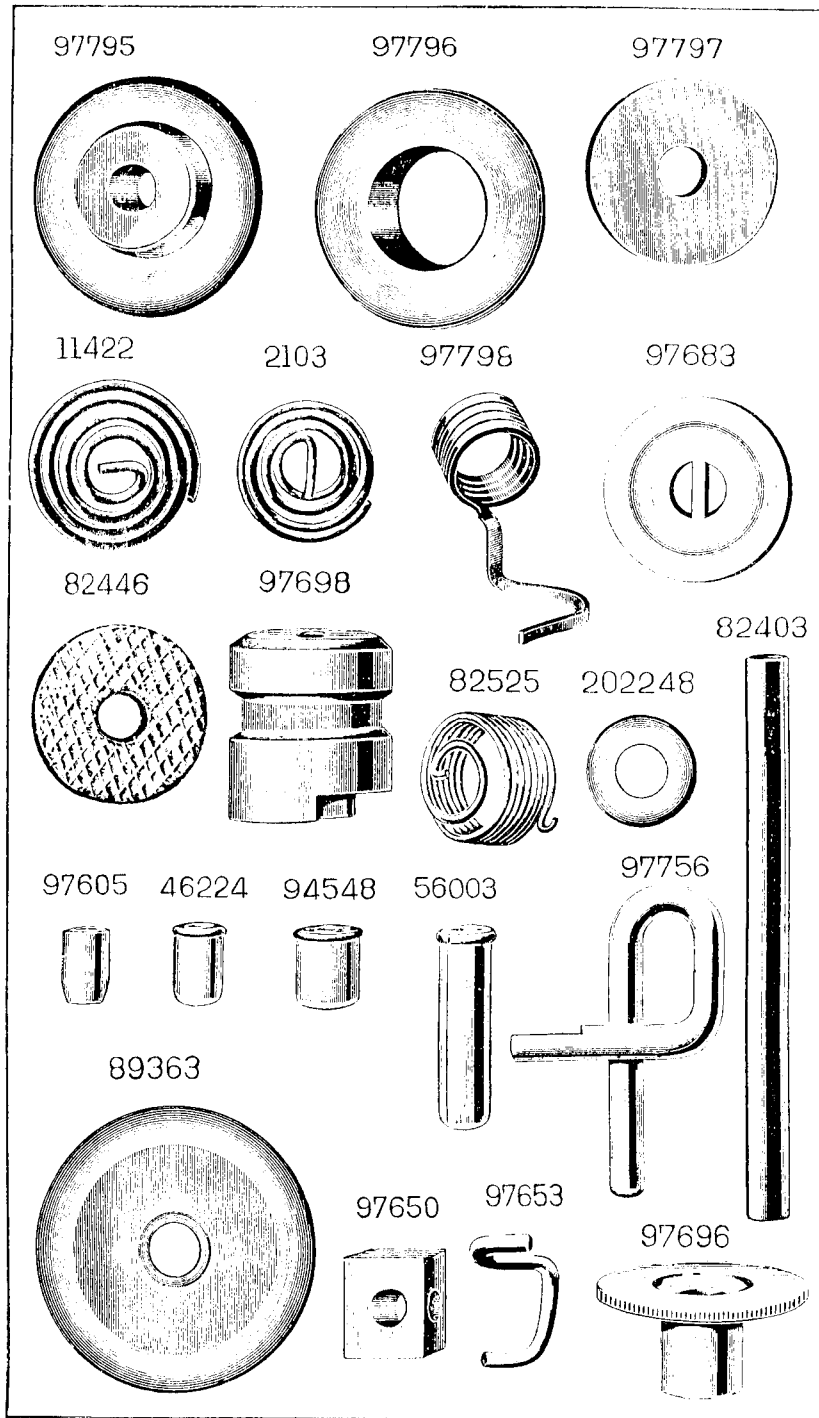


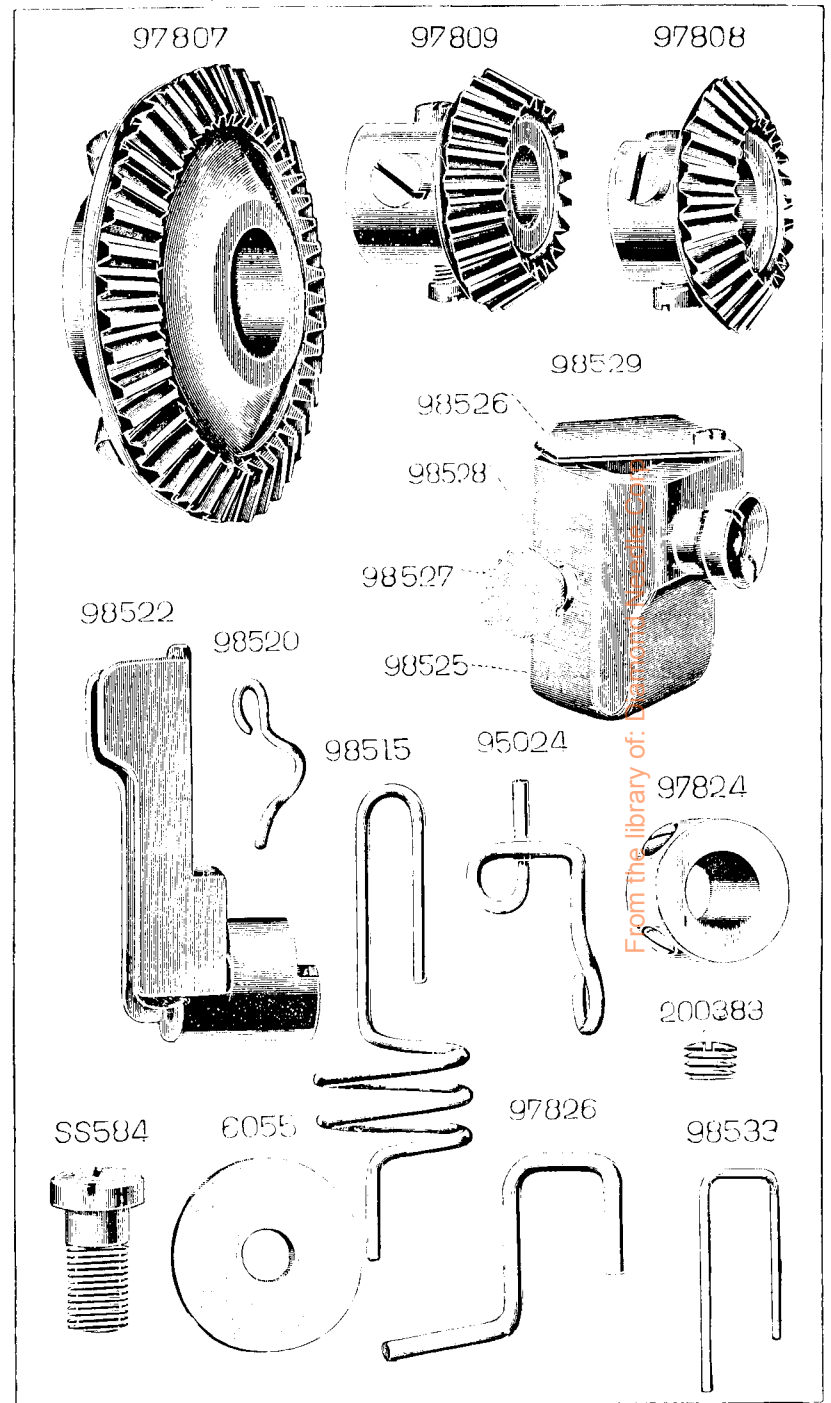
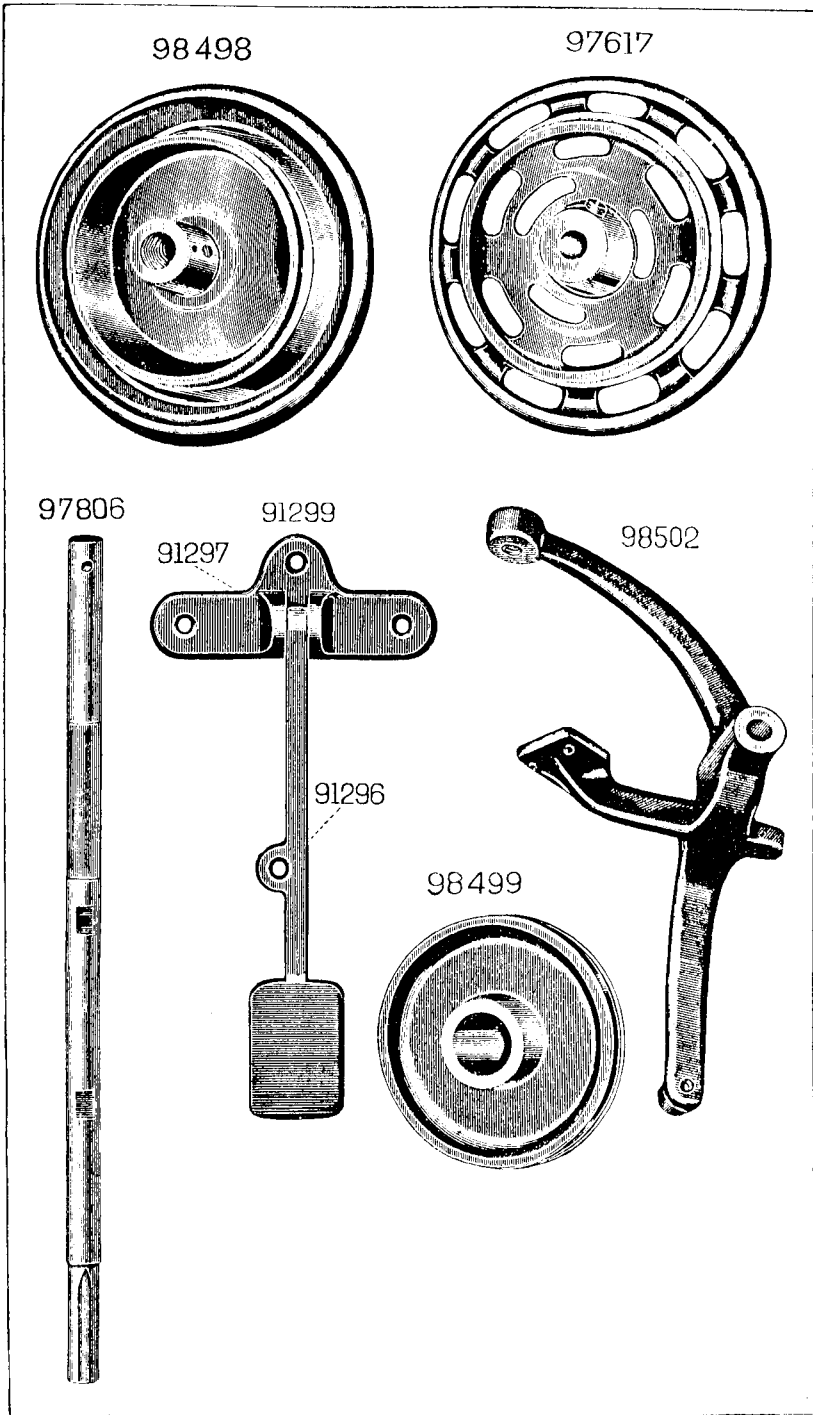
97676 98457 98443 97610 98485

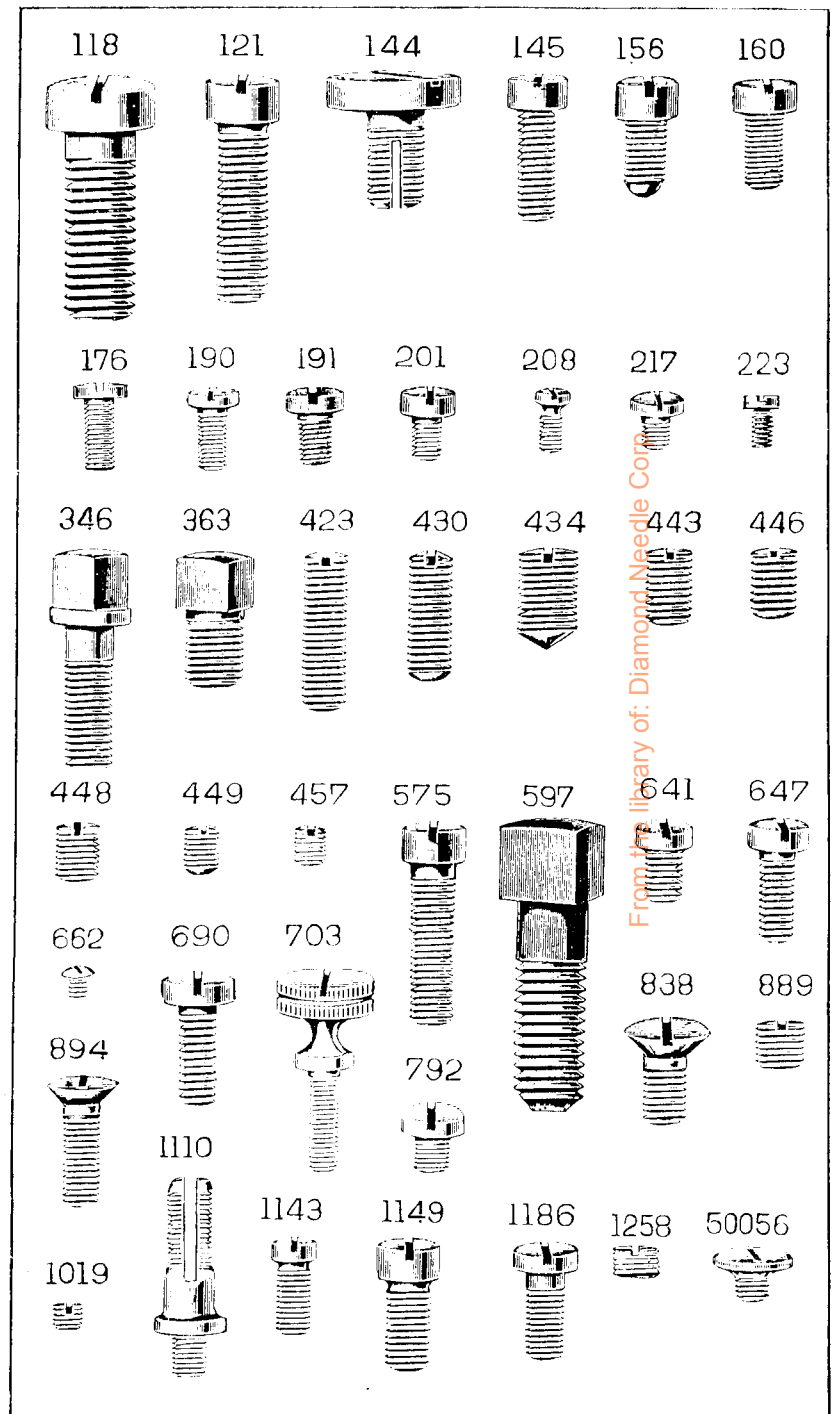
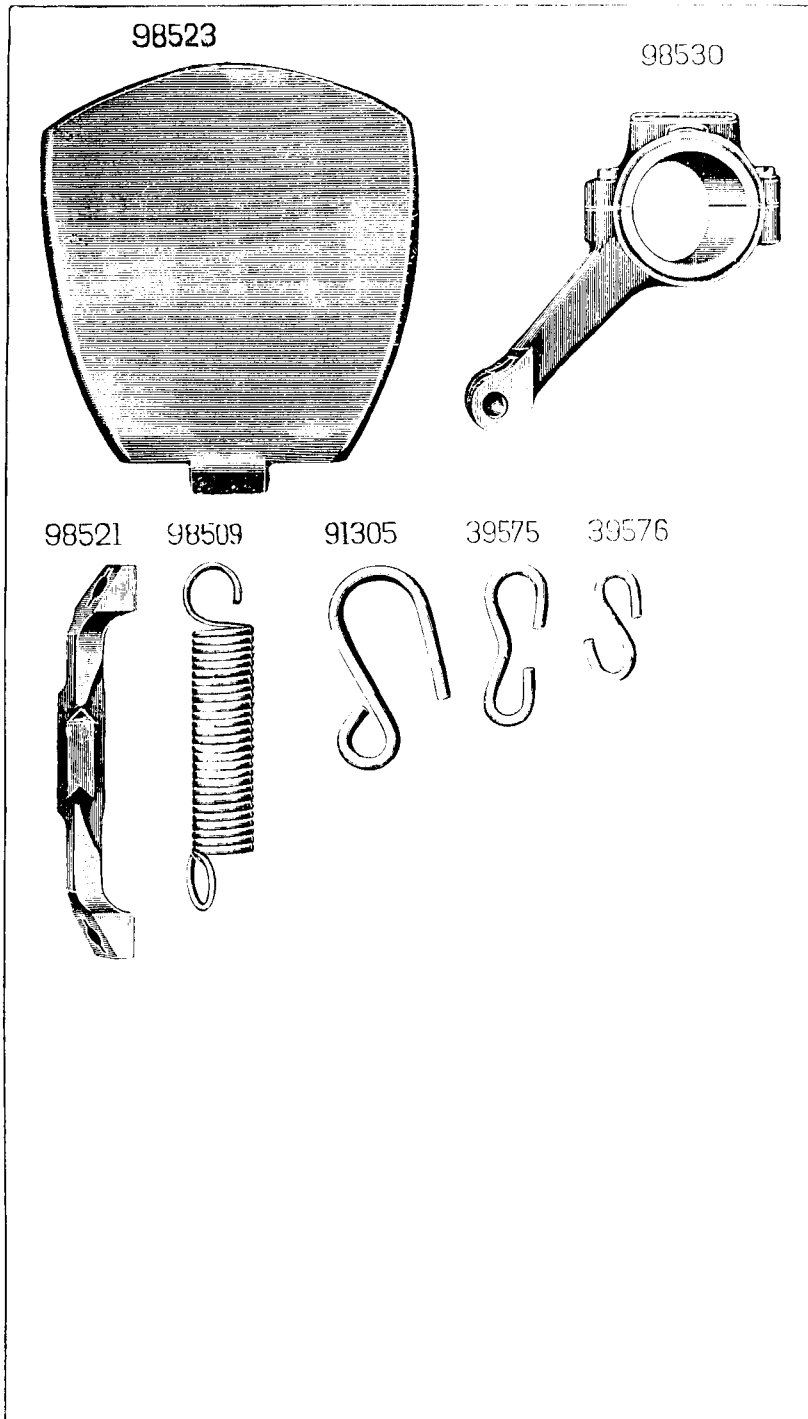


From the library of: Diamond Needle Corp









No.	Plate	
202247	2014	Arm Top Cover
SS505h	1873	" " " Screw
202248	2018	" " " " Washer
82403	2018	" Spool Pin (2)
97616	1870	" " " Bushing
97617	2020	Balance Wheel, 5" Pulley, with two 434c
97791	--	" " 5" " (9" diam.), with two 434c, for Foot Power
434c	2025	" " " Set Screw
NOTE. No. 97617 is sent with this machine unless otherwise specified on order, but Bobbin Winder No. 97793 must be used with Balance Wheel No. 97791.		
*98440	--	Bed
NOTE. Due to the accuracy required for Gear alignment, Bed cannot be supplied separately and can only be sent out as a unit, Arm and Bed assembled.		
97829	94548	2018 Bed Oiler for Front Bearing
97829	94548	2018 " " " Back Bearing
98519	2014	Face Plate
SS45f	1873	" " " Screw (2)
97690	1871	" " " Thread Eyelet
98520	2021	" " " " Retainer
190d	2025	" " " " " Screw
98443	2015	Lifting Presser Bar (hollow)
98444	1868	" " " Bell Crank with two 191c
98445	1868	" " " " " Connection
98446	2016	" " " " " " Hinge Stud (2)
191c	2025	" " " " " " " Set Screw
98447	2016	" " " " " " Hinge Stud
448c	2025	" " " " " " " Set Screw
98469	2016	" " " " Bushing (upper)
SS509e	1873	" " " " (") Cap Screw
46224	2018	" " " " (") Oiler
889c	2025	" " " " (") Set Screw
97645	2016	" " " " (lower)
889c	2025	" " " " (") Set Screw
98448	1868	" " " Crank (back) with 191c and two 647e
647e	2025	" " " " (") Clamping Screw
98449	1868	" " " " (front)
98450	1868	" " " " (") Pin
98451	1868	" " " " Eccentric with two 448c
98530	2024	" " " " " Connection with 98531 to 98533 and two 145e

No.	Plate	
*98531	--	Lifting Presser Bar Eccentric Connection Cap
98532	2023	" " " " " Oil Pad (felt)
98533	2021	" " " " " " Retainer
145e	2025	" " " " " Screw
98446	2016	" " " " " Hinge Stud
191c	2025	" " " " " " Set Screw
448c	2025	" " " " " Screw
98454	1868	" " " Guide Bracket with two 1186e
1186e	2025	" " " " " Clamping Screw
98455	1868	" " " Lifting Collar with 641c
641c	2025	" " " " " Clamping Screw
98456	1868	" " " " " Cushion (fibre)
98457	2015	" " " Shaft
97830	46224	2018 " " " Oiler (2)
98458	2014	" " " Spring
98459	2016	" " " " Sleeve
98456	1868	" " " " " Cushion (fibre)
98460	1868	" " " Foot
SS329f	1873	" " " " Screw
1547c	1873	" " " " " Nut
98495	--	Lifting Presser Bar Link Drive, complete, Nos. 98444, 98445, 98448, 98530 and three 98446
98485	2015	Needle Bar (hollow)
97645	2016	" " " Bushing (lower)
889c	2025	" " " (") Set Screw
97646	2015	" " " (upper)
SS509e	1873	" " " (") Cap Screw
46224	2018	" " " (") Oiler
889c	2025	" " " (") Set Screw
97648	2017	" " " Connecting Link
97649	2017	" " " " Stud with two SS512c
SS512c	1873	" " " " " Clamping Screw
97650	2018	" " " " " Slide Block
97651	1870	" " " Crank with SS320c and SS370c
SS370c	1873	" " " Position Screw
SS320c	1873	" " " Set Screw
97794	2017	" Clamp
97652	--	" " 97794 with 156f, 217f and 97653
156f	2025	" " " Screw
97653	2018	" " " Thread Guide
217f	2025	" " " " Screw
97813	2022	Rotating Hook with 97815, 97822, 97828 and three 50027
97814	--	" " 97813 with 97818
97815	2022	" " " Base with three SS522c

From the library of: Diamond Needle Corp

10/37

10/26

No.	Plate				
97664	2017	Rotating Hook	Bobbin
97816	2023	"	"	Case	...
97817	2023	"	"	"	Nos. 662f, 749f, 50056f, 97666, 97816, 97820, 97821 and three SS579f
97818	—	"	"	"	97817 with 97664
97666	1868	"	"	"	Bobbin Retainer
50056f	2025	"	"	"	" Screw
98521	2024	"	"	"	Position Bracket
SS582e	2022	"	"	"	" Screw (2)
98419	98522 2021	"	"	"	Retainer
98420	2016	"	"	"	Bracket
446c	2025	"	"	"	" Set Screw (2)
98422	2016	"	"	"	Hinge Stud
889c	2025	"	"	"	" Set Screw
98515	2021	"	"	"	Position Spring
792e	2025	"	"	"	" Screw
98423	2017	"	"	"	Spring with 98468
*98468	—	"	"	"	" Pad
201f	2025	"	"	"	" Screw
97820	2023	"	"	"	Ring
SS579f	2022	"	"	"	" Screw
97821	2022	"	"	"	Tension Spring
749f	2022	"	"	"	" Adjusting Screw
662f	2025	"	"	"	" Screw
98523	2024	"	"	Cover Plate	...
98425	1870	"	"	"	Bracket
SS45f	1873	"	"	"	" Screw
98426	1868	"	"	"	Hinge Pin
1019c	2025	"	"	"	" Set Screw
98427	2017	"	"	"	Spring
176d	2025	"	"	"	" Screw
98524	—	"	"	"	complete, Nos. 1019c, 98425 to 98427, 98523 and two 176d
98525	2021	"	"	Oil Box	...
98526	2021	"	"	"	Cover
223e	2025	"	"	"	" Screw
98527	2021	"	"	"	Packing (cotton wick)
SS584e	2021	"	"	"	Screw
98528	2021	"	"	"	Tube (brass)
98529	2021	"	"	"	complete, Nos. 223e, SS584e and 98525 to 98528
97822	—	"	"	"	Pad (felt)
97823	2022	"	"	"	Ring
50027 ^F	2022	"	"	"	Screw
97825	2022	"	"	"	Thread Guard
SS583e	2022	"	"	"	" Screw
97828	—	"	"	"	97823 with 97825 and two SS583e

No.	Plate				
SS522c	1873	Rotating Hook	Screw
97676	2015	"	"	Shaft	...
98428	2016	"	"	"	Bushing (back)
97678	1871	"	"	"	" () Oil Pad
448c	2025	"	"	"	" () Set Screw
98429	2016	"	"	"	" (front)
98473	1868	"	"	"	" () Oil Pad
423c	2025	"	"	"	" () Set Screw
97824	2021	"	"	"	Collar with two 1258c
1258c	2025	"	"	"	" Set Screw
97808	2021	"	"	"	Gear with SS580f and two SS581e
97680	2014	"	"	"	Case (two pieces) with 121e and 50234d
50234d	1873	"	"	"	" Plug Screw
121e	2025	"	"	"	" Screw
SS580f	2023	"	"	"	Position Screw
SS581c	2023	"	"	"	Set Screw
97795	2018	Tension Disc	(inner)
97796	2018	"	"	(outer)	...
1560d	2023	"	"	Regulating Thumb Nut	...
97683	2018	"	"	Releasing Disc	...
SS536d	1873	"	"	Screw Stud	...
11422	2018	"	"	Spring	...
82446	2018	"	"	Washer (felt)	...
97797	2018	"	"	"	(fibre)
97800	—	Tension (rotating) and Thread Take-up Spring , complete, Nos. SS536d, 1560d, 11422, 82446, 82525, 97683, 97696, 97698 and 97795 to 97798
97756	2018	Thread Guard	(side of arm)
1143c	2025	"	"	Set Screw	...
97769	2015	Thread Lubricating Cup
97770	—	"	"	"	97769 with 160c, 97772 and 250519
250519	1871	"	"	"	Oil Pad (felt)
160c	2025	"	"	"	Set Screw
97772	1868	"	"	"	Thread Guide
NOTE.—No. 97770 is only supplied when specified on order, and at an extra charge.					
89363	2018	Thread Retaining Disc
1110e	2025	"	"	Screw Stud	...
1560d	2023	"	"	"	Regulating Thumb Nut
2103	2018	"	"	Spring	...
97757	—	"	"	Retainer, complete, Nos. 1110e, 1560d, 2103 and two 89363	...

From the library of: Diamond Needle Corp

0/36

No.	Plate						
95024	2024	Thread Retainer	Thread Eyelet
SS50f	1873	"	"	"	"	Screw	...
97687	2017	"	Take-up Crank
SS484e	1873	"	"	"	"	Cap Screw	...
97688	1871	"	"	"	"	Cotter Pin	...
690c	2025	"	"	"	"	"	Screw
97689	1871	"	Take-up Lever
97690	1871	"	"	"	"	Bushing	...
SS515d	1873	"	"	"	"	Clamping Screw	...
97691	1871	"	"	"	"	Hinge Pin	...
97692	1871	"	"	"	"	Link	...
97693	2017	"	"	"	"	Hinge Pin	...
457e	2025	"	"	"	"	"	End Screw
430c	2025	"	"	"	"	"	Set Screw
97694	—	"	"	"	"	complete, Nos. 457e, SS515d and 97689 to 97693	...
82525	2018	"	"	"	"	Spring	...
97696	2018	"	"	"	"	Adjusting Sleeve	...
97798	2018	"	"	"	"	Lever	...
97698	2018	"	"	"	"	Regulator	...
443c	2025	"	"	"	"	"	Set Screw
98164	2015	Throat Plate
838f	2025	"	"	"	"	Screw (2)	...
98434	—	Work Plate
98435	1870	"	"	"	"	Bracket	...
50512d	1873	"	"	"	"	Screw	...
98436	—	Work Plate , complete, Nos. 98434, 98435 and two 50512d
*15404	—	Trade Mark
15405	—	"	"	"	"	Rivet	...

PARTS SPECIAL

TO

No. 133K7 MACHINE

Cylinder Bed, for Sack Darning.

This Machine is the same as No. 133K6, with the following exceptions:—

No.	Plate						
*98496	—	Arm	with 15404, 56003, two each 15405 and 94548
<i>NOTE: Due to the accuracy required for Gear alignment, Arm cannot be supplied separately and can only be sent out as a unit, Arm and Bed assembled.</i>							
*98497	—	Bed
<i>NOTE: Due to the accuracy required for Gear alignment, Bed cannot be supplied separately and can only be sent out as a unit, Arm and Bed assembled.</i>							
98498	2020	Balance Wheel	with 434c and SS432c
SS545d	1873	"	"	"	"	End Screw	...
98501	1870	"	"	"	"	Washer	...
98499	2020	"	"	"	"	Loose Pulley	...
434c	2025	"	"	"	"	Set Screw (long)	...
SS432c	1873	"	"	"	"	(short)	...
98500	—	Balance Wheel , complete, Nos. 98498 and 98499
98502	2020	Driving Attachment Lever
50224c	1873	"	"	"	"	Adjusting Screw	...
1517c	1873	"	"	"	"	"	Nut
98503	1870	"	"	"	"	Belt Shifter with 363c	...
98505	1870	"	"	"	"	Carrier with 363c	...
SS546c	1873	"	"	"	"	"	Screw
363c	2025	"	"	"	"	"	Clamping Screw
98504	1870	"	"	"	"	"	Rod
363c	2025	"	"	"	"	"	Clamping Screw
98506	1870	"	"	"	"	Bracket	...
SS547c	1873	"	"	"	"	"	Screw
98507	1870	"	"	"	"	Friction Pad (leather)	...
190d	2025	"	"	"	"	"	(") Screw (2)
98508	1870	"	"	"	"	Spindle	...
448c	2025	"	"	"	"	"	Set Screw

From the library of: Diamond Needle Corp

No. 133K7 MACHINE.

No.	Plate						
98509	2024	Driving Attachment Lever Spring		
7958	2016	" " " " Hook		
98510	1870	" " " " Plate		
50057c	1873	" " " " " Hinge Screw		
98511	—	Driving Attachment Lever, complete, Nos. 448c, SS516c, SS517c, 1517c, 50057c, 50224c, 98502 to 98510 and two 190d
91296	2020	Driving Attachment Starting Lever		
91297	2020	" " " " Bracket		
91298	2023	" " " " " Hinge Pin		
—	—	" " " " " Screw (Wood), 1½" No. 15		
91299	2020	" " " " Nos. 91296 to 91298 and Three Wood Screws 1½" No. 15		
39569	—	" " " " Lever Chain 45" long with 39575 and 39576		
39576	2024	" " " " " Hook (upper)		
39575	2024	" " " " " (centre)		
91305	2024	" " " " " (lower)		
84275	—	" " Shaft Pulley (sectional, grooved), 10" diam., with two 597c		
597c	2025	" " " " Clamping Screw		
98512	—	Driving Attachment Starting Lever, complete, Nos. 39569, 91299 and 91305

Accessories

No.	Plate						
	—	Instruction Book
938e	1873	Machine Bolt with 1524e, 3" - 1/4"	(4)
6055	2021	" " Washer (1)	
216 × 3	—	Needles (6)
120342	1600	Oiler
97664	2017	Rotating Hook Bobbin (5)	
11831	1600	Screw Driver (large)
120378	1871	" " (small)

From the library of: Diamond Needle Corp

Bobbin Winder

(Swinging Automatic, Left Hand)

No.	Plate	
41894	1856	Base with 449c
894d	2025	" Screw
97745	2019	Bobbin Holder
97746	2019	" " Pin
41896	2019	Frame
41441	2019	" Hinge Pin
449c	2025	" " " Set Screw
125044	2023	" Oil Pad
41897	2019	" Spring
43270	1856	Friction Pulley with 43271, two 448c and ten 15405
43271	1856	" " Ring (leather)
15405	---	" " " Rivet (brass)
448c	2025	" " " Set Screw
97747	2019	Spindle
97748	2019	Stop Latch
41446	2019	" " Hinge Pin
2269	2019	" " Pin
97749	1856	Support Bracket
346c	2025	" " Screw
97774	1856	Tension Bracket
50073d	1873	" " Screw (2)
2102	1871	" Disc
SS521c	1873	" Screw Stud
889c	2025	" " " Set Screw
1560d	2023	" " " Thumb Nut
2103	2018	" Spring
97826	2021	" Thread Guard
889c	2025	" " " Set Screw
97776	---	Tension, complete, Nos. SS521c, 1560d, 2103, 97774, 97826, two each 889c and 2102
41899	2019	Tripping Arm with 176d
176d	2025	" " Clamping Screw
97750	2019	" " Spring
97751	1856	Bobbin Winder , complete, Nos. 346c, 2269, 41441, 41446, 41894, 41896, 41897, 41899, 43270, 97745 to 97750, 97776, 125044, two 50073d and three 894d

Bobbin Winder

(Swinging Automatic, Left Hand)

For machine when fitted with Balance Wheel No. 97791
for Foot Power.

This is the same as Bobbin Winder No. 97751 with the following exceptions:

No.	Plate	
97792	1856	Support Bracket
97793	---	Bobbin Winder , complete, Nos. 346c, 2269, 41441, 41446, 41894, 41896, 41897, 41899, 43270, 97745 to 97748, 97750, 97776, 97792, 125044, two 50073d and three 894d

Thread Unwinder

For Two Spools of Thread.

No.	Plate	
27623	1855	Spool Pin
98489	---	" Rest
98490	1855	" " 98489 with 1149c and two 27623
225388	1855	" " Rod
200383c	2021	" " " Set Screw
1149c	2025	" " " Set Screw
202490	1855	" Stand with 200383c
98491	1855	Thread Guide with 208c
208c	2025	" " " Set Screw
---	---	Screw (Wood) $\frac{3}{8}$ " No. 13 (for fixing to table)
98492	1855	Thread Unwinder , complete, Nos. 98490, 98491, 202490, 225388 and three Wood Screws $\frac{3}{8}$ " No. 13

From the library of: Diamond Needle Corp.